



2025 J/105 Chesapeake Bay Championship October 18 - 19, 2025

(CBYRA Sanction #25-327 & #25-328)

Organizing Authority: Annapolis Yacht Club,
Annapolis, Maryland, USA

<http://www.annapolisyc.com/racing/regattas>

SAILING INSTRUCTIONS

The notation '[NP]' in a rule of the SIs or NoR means that a boat may not protest another boat for breaking that rule or request redress based on that rule. This changes RRS 60.1(a) and 62.1(a).

1 RULES

- 1.1 The event is governed by the rules as defined in *The Racing Rules of Sailing*.
- 1.2 See the notice of race for additional class-specific rules that apply.
- 1.3 Rule 60.4(a)(2) is changed as follows: (2) if it alleges a breach of a rule of Part 2 or rule 31 and is from a boat that was not involved in, and did not see, the incident, or

2 CHANGES TO SAILING INSTRUCTIONS

- 2.1 Any change to the sailing instructions (SIs) will be posted before 0900 on the day it will take effect, except that any change to the schedule of races will be posted by 2000 on the day before it will take effect.

3 COMMUNICATIONS WITH COMPETITORS

- 3.1 Notices to competitors will be posted on the official notice board which is electronic and located at:
<https://www.yachtscoring.com/emenue/17013>
- 3.2 The race office can be reached by telephone at 410-858-4964 or by email at raceoffice@annapolisyc.org. Forms can be found online at <https://www.annapolisyc.com/racing/raceoffice>.
- 3.3 [NP] On the water, the race committee intends to monitor and communicate with competitors via **VHF radio on channel 71**. This includes announcements and confirmation of race committee signals before, during, and after racing.

4 CODE OF CONDUCT

- 4.1 [DP] Competitors and support persons shall comply with reasonable requests from race officials.

5 SIGNALS MADE ASHORE

- 5.1 Signals flown ashore will be flown from flagpole at the AYC Clubhouse and posted on the Official Notice Board.
- 5.2 When flag AP is displayed ashore, the approximate time of the next warning signal will be announced to all competitors before it is removed. This changes RRS race signals.

6 SCHEDULE OF RACES

- 6.1 The scheduled time of the first warning signal each racing day is 1100.
- 6.2 Three races are scheduled each day.
- 6.3 On the last scheduled day of racing, no warning signal will be made after 1530.

7 CLASS FLAGS

- 7.1 No class flag will be required.

8 RACING AREA

- 8.1 The racing area will be in the Chesapeake Bay off the mouth of the Severn River. See Attachment 2.
- 8.2 No later than 120 minutes prior to the first scheduled warning signal, the race committee will post the approximate intended location of the starting area on the notice board.
- 8.3 Approximately 60 minutes prior to the first scheduled warning signal, the race committee will announce the approximate location of the starting area on VHF radio.
- 8.4 Approximately 30 minutes prior to the first scheduled warning signal, the race committee will announce the location of the race committee signal vessel.

9 COURSES

- 9.1 The courses are shown in SI Attachment 1.
- 9.2 No later than the warning signal, the race committee signal vessel will announce the course to be sailed on VHF radio, including the approximate distance between the signal boat and the windward mark, and the approximate compass bearing of the first leg of the course. The race committee will also display this information on a placard on the starting vessel.
- 9.3 If only a single gate mark is in place, it shall be rounded to port.

10 MARKS

- 10.1 Starting and finishing marks will be a green inflatable or a green MarkSetBot. All other marks of the course will be orange inflatables or orange MarkSetBots.
- 10.2 The change mark will be a yellow inflatable mark. If the gate marks are changed, the original marks will be moved.

11 THE START

- 11.1 The starting line is between a staff displaying an orange flag on the starting vessel and the course side of the pin end starting mark.
- 11.2 The race committee intends to announce on VHF radio boats identified as OCS, UFD, or BFD. A boat may not base a request for redress on the failure to hear or receive the announcements, the timeliness of announcement or the order in which boats are announced. This changes RRS 62.1(a).
- 11.3 A boat that does not start within 10 minutes after her starting signal will be scored Did Not Start without a hearing. This changes RRS A5.1 and A5.2.

12 CHANGE OF THE NEXT LEG OF THE COURSE

- 12.1 To change the next leg of the course, the race committee will lay a new mark (or move the finishing line) and remove the original mark as soon as practicable. When in a subsequent change a new mark is replaced, it will be replaced by an original mark.
- 12.2 If there is a change in the location of the weather mark, there will not be an offset mark.
- 12.3 A change in course to the weather mark *may* be signaled from the Race Committee signal vessel.

13 THE FINISH

- 13.1 The finishing line will be between a staff displaying a blue flag on the race committee finishing vessel and the course side of the finishing mark. For all courses, the finish line will be on the same side as the starting line.

14 PENALTY SYSTEM

- 14.1 RRS/US Appendix V, Alternative Penalties, will apply.

15 TIME LIMITS [AND TARGET TIMES]

- 15.1 The Mark 1 Time Limit, Race Time Limit (see RRS 35), and the Finishing Window are shown in the table below.

Mark 1 Time Limit	Race Time Limit	Finishing Window
45	120	20

- 15.2 If no boat has passed the first mark within the Mark 1 Time Limit, the race will be abandoned.
- 15.3 The Finishing Window is the time for boats to finish after the first boat sails the course and finishes. Boats failing to finish within the Finishing Window, and not subsequently retiring, penalized or given redress, will be scored Time Limit Expired (TLE) without a hearing. A boat scored TLE shall be scored points for the finishing place two more than the points scored by the last boat that finished within the Finishing Window. This changes RRS 35, A5.1, A5.2 and A10.

16 HEARING REQUESTS

- 16.1 The protest time limit is 60 minutes after the race committee signal vessel docks. The race committee will post the protest time limit.
- 16.2 Hearing request forms, scoring inquiry forms, and penalty acceptance forms can be found online at <https://www.annapolisyc.com/racing/raceoffice>. They shall be delivered to the race office by email (see SI 3.2). To view the online-forms and to file a hearing request form using them, you may need software that allows you to download, view and edit .PDF (Adobe Acrobat) files.
- 16.3 Notices will be posted no later than 30 minutes after the protest time limit to inform competitors of hearings in which they are parties or named as witnesses. The protest committee intends to hold hearings in the conference room on the third floor of the AYC Sailing Center.

17 SCORING

- 17.1 One race constitutes a series.
- 17.2 *Low point scoring system shall apply except that no result shall be excluded. Changing RRS Appendix A*
- 17.3 Boats to be scored TLE will be scored points equal to the number of boats finishing within the finishing window plus two points by the race committee without a hearing, but no worse than the number of entries. This changes RRS A4.2 and A5.

18 SAFETY REGULATIONS

- 18.1 [DP] A boat that retires from a race, or leaves the racing area between races, shall notify the race committee or race office (see SI 3.2) at the first reasonable opportunity.
- 18.2 [NP] [DP] A boat shall not exercise right of way, cross in proximity to, or interfere with reasonable transit of the race area by commercial ships, tugs, or barges. Boats must take evasive action well in advance of a potentially dangerous situation. The US Coast Guard, ship captains, and bay pilots have been encouraged to report any incident they observe.
- 18.3 A boat without way may use any means of propulsion to avoid commercial traffic that is under way provided: (a) the boat does not gain an advantage; (b) use of the propulsion is the boat's only means of avoiding the commercial traffic; and (c) the boat submits a report to the race office (in writing or by e-mail to raceoffice@annapolisyc.org) by the protest filing deadline describing the incident and the boat's actions.
- 18.4 The race committee or protest committee may protest a boat for SI 18.2 based on information received from any source. A written statement from the US Coast Guard, a ship captain, or a bay pilot will be accepted as evidence without the author present. The protest time limit does not apply. This changes RRS 60.2, 60.3, 61.3, and 63.6.

19 PRIZES

- 19.1 Prizes will be awarded for first through third place.
- 19.2 The following perpetual trophy will be awarded: The Steve Gale Memorial Trophy - Outstanding Bowman
- 19.3 Additional prizes may be awarded at the discretion of the organizing authority.

20 DISCLAIMER OF LIABILITY

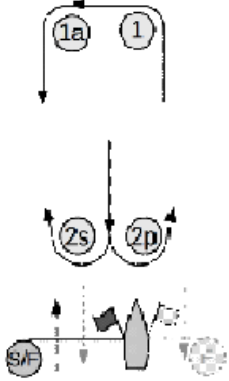
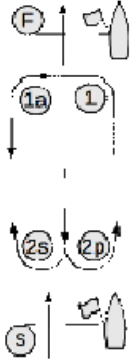
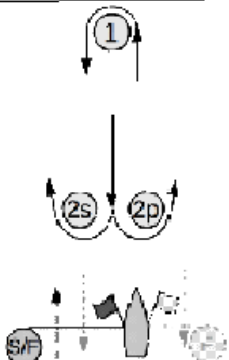

- 20.1 20.1 Competitors participate in the regatta entirely at their own risk. RRS 3 states: 'The responsibility for a boat's decision to participate in a race or to continue racing is hers alone. By participating in this event competitor agrees and acknowledges that sailing is a potentially dangerous activity with inherent risks, which are assumed by the competitor

21 INSURANCE

- 21.1 Each participating boat shall be insured with valid third-party liability insurance with a minimum cover of \$300,000 combined single limit or shall be a vessel representing a Government agency. Competitors are solely responsible for obtaining the required coverage.

SI ATTACHMENT 1 - DROP MARK COURSES

In the below table, the course designation is followed by the mark rounding order for that course. All marks except 2S are to be rounded to port.

<div style="font-size: 2em; font-weight: bold; margin-bottom: 10px;">LA</div>  <p>LA2: Start-1-1a-2s/2p-1-1a-Finish LA3: Start-1-1a-2s/2p-1-1a-2s/2p-1-1a-Finish</p>	<div style="font-size: 2em; font-weight: bold; margin-bottom: 10px;">WA</div>  <p>WA2: Start-1-1a-2s/2p-Finish WA3: Start-1-1a-2s/2p-1-1a-2s/2p-Finish</p>
<div style="font-size: 2em; font-weight: bold; margin-bottom: 10px;">L</div>  <p>L2: Start-1-2s/2p-1-Finish L3: Start-1-2s/2p-1-2s/2p-1-Finish</p>	<div style="font-size: 2em; font-weight: bold; margin-bottom: 10px;">W</div>  <p>W2: Start-1-2s/2p-Finish W3: Start-1-2s/2p-1-2s/2p-Finish</p>

SI ATTACHMENT 2 - RACING AREA

